



IPC Integrated Professional Cleaning

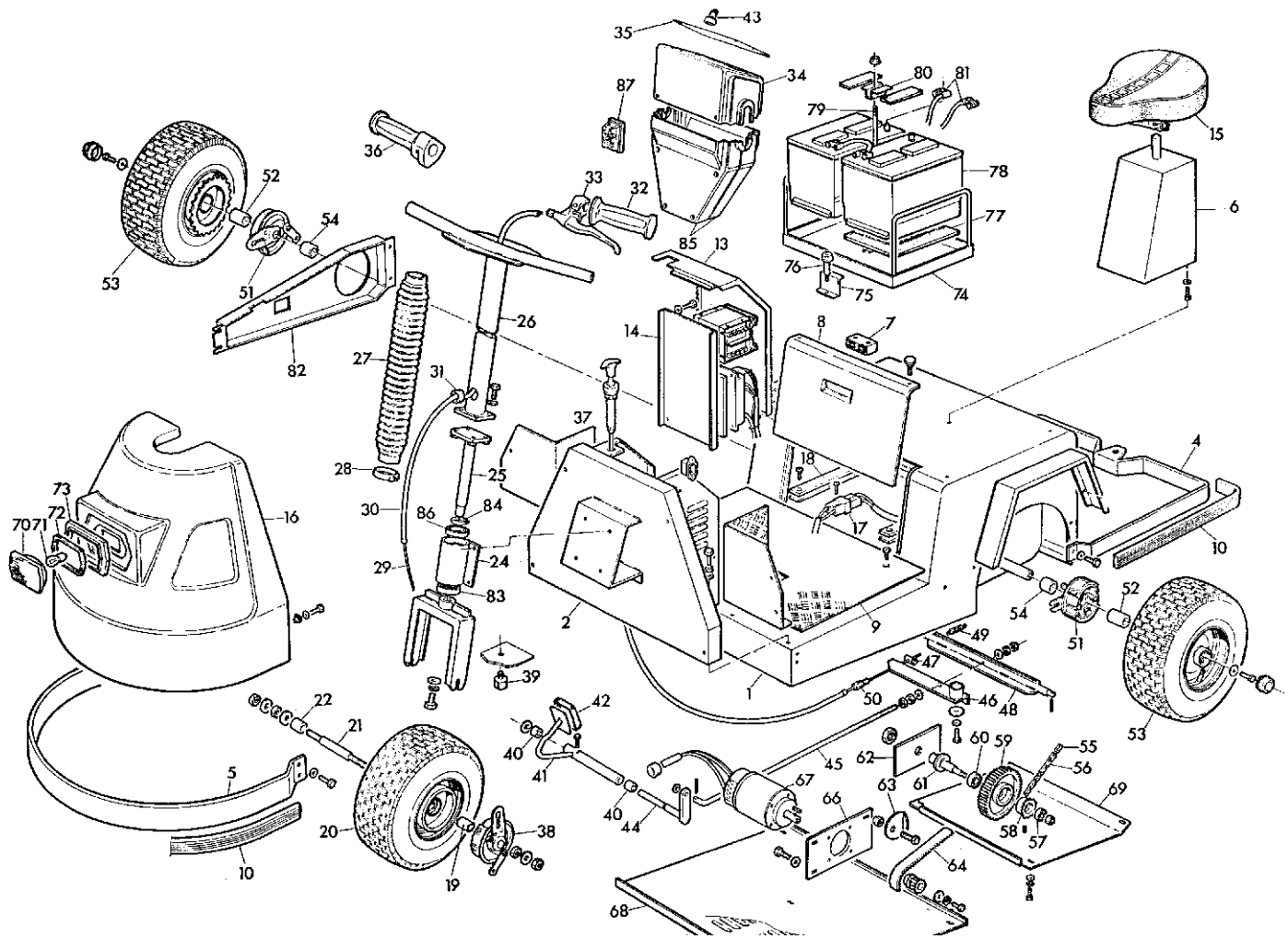
IPCPortotecnica

Spare Parts List

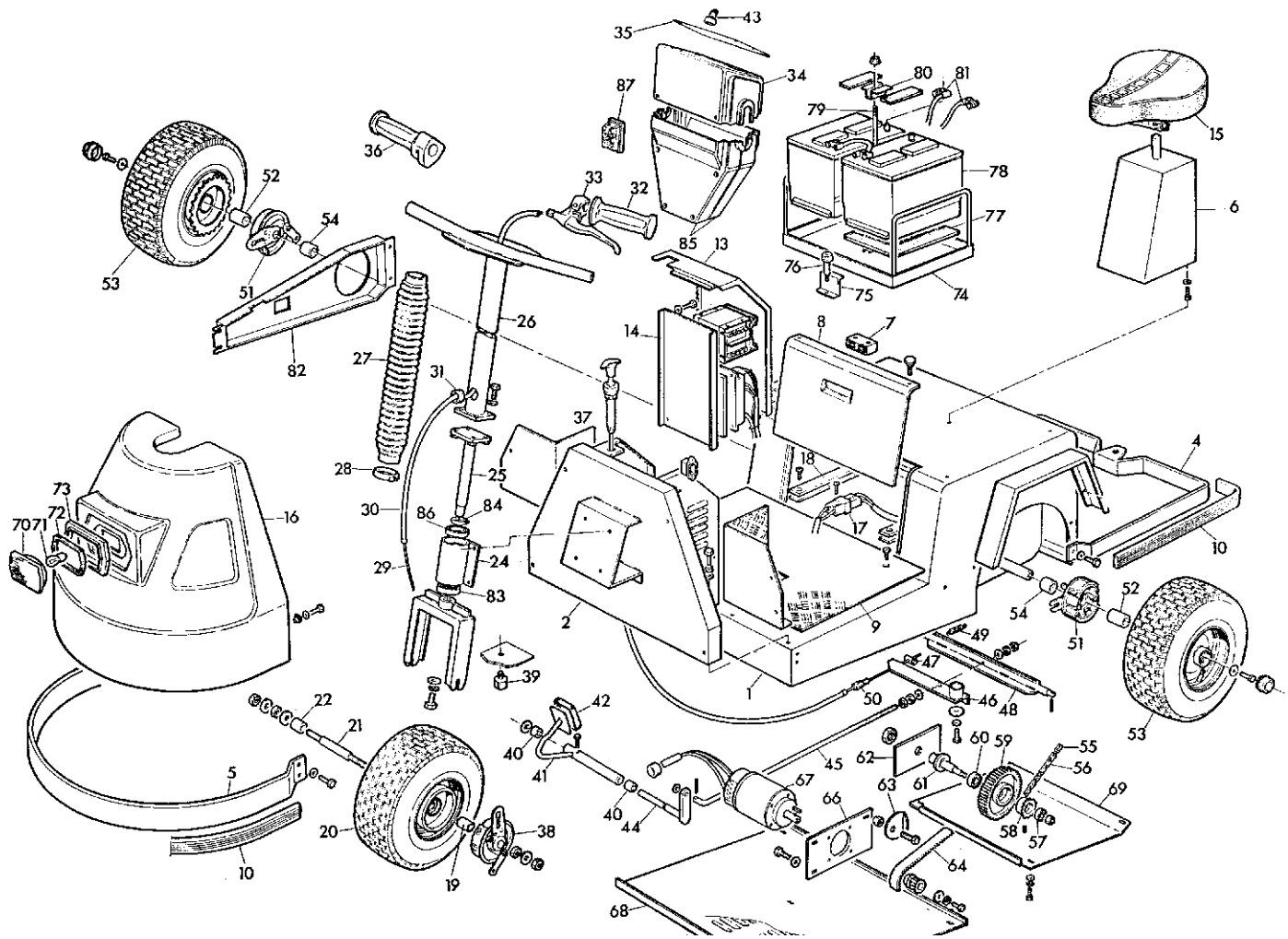
PORTOTECNICA

Ref: ELVC42022

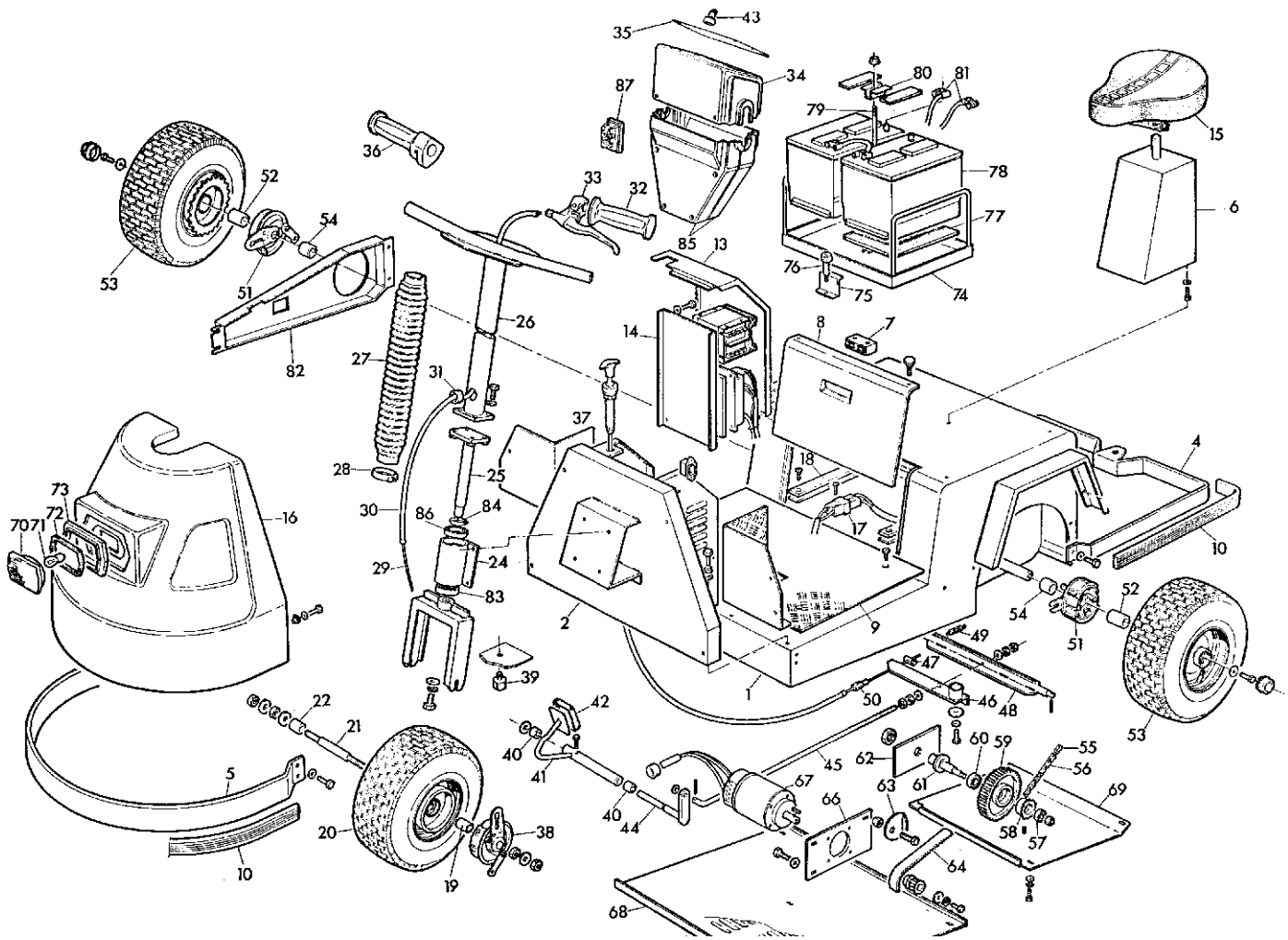
Model: EL.CARRELLO TIGER 500S II 4-01PRT



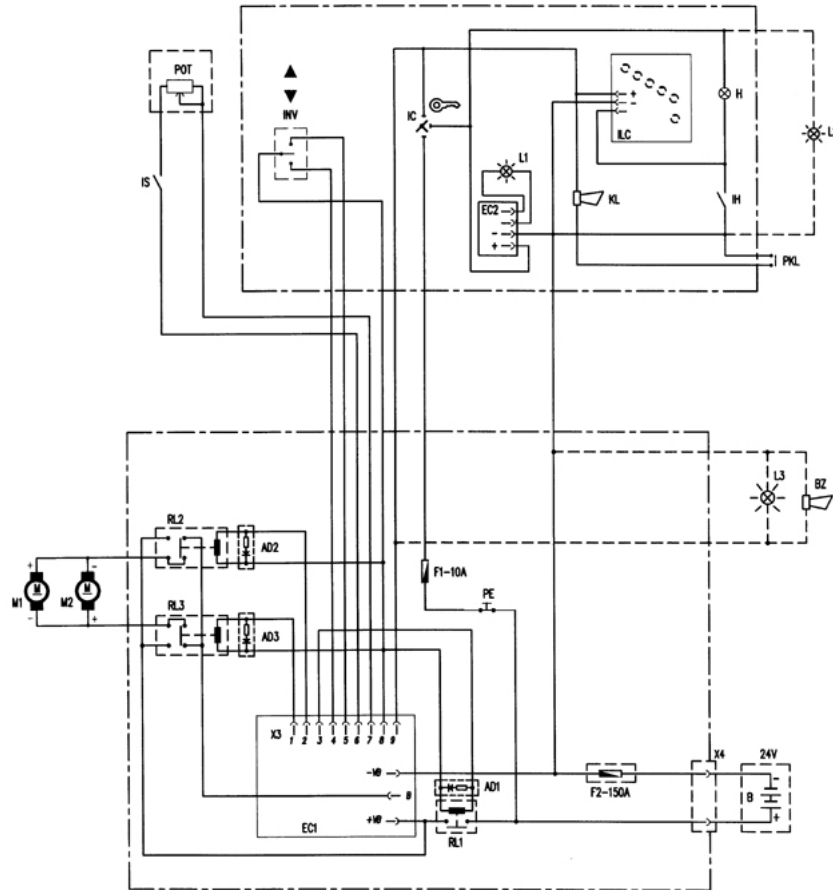
| Ref. | K | Part N. | Customer Part N. | Description | Qty | Validity: | | Price |
|------|---|-----------|------------------|--|------|-----------|---------|-------|
| | | | | | | From | To | |
| 0001 | | LAFN29931 | | BODY TIG.300 | 1,00 | 04/1999 | | -- |
| 0002 | | LAFN42219 | | CONTROL BOX TIG.300 II | 1,00 | 06/1999 | | -- |
| 0004 | | LAFN29939 | | BACK BUMPER TIG.300 | 1,00 | | | -- |
| 0005 | | LAFN29933 | | ANT.BUMPER TIG.300 | 1,00 | 04/1999 | | -- |
| 0005 | | MPVR42355 | | HOOD TIG.300 ABS GFR | 1,00 | 12/2001 | | -- |
| 0006 | | LAFN29949 | | SADDLE SUPPORT TIG.300 | 1,00 | 04/1999 | | -- |
| 0007 | | CHVR34038 | | CLOSURE L= 73X18 | 1,00 | 04/1999 | | -- |
| 0008 | | LAFN29955 | | BOX COVER TIG.300 | 1,00 | 06/1999 | | -- |
| 0009 | | MPVR43880 | | PLANE T.300-500 | 1,00 | 05/2001 | | -- |
| 0013 | | LAFN33109 | | BOX COVER TIG.300 2V | 1,00 | 04/1999 | | -- |
| 0014 | | LAFN33112 | | JUNCTION BOARD TIG.300 2.V | 1,00 | 04/1999 | | -- |
| 0015 | | SESD29848 | | SADDLE PU 290X260 | 1,00 | 06/1999 | 12/2004 | -- |
| 0015 | | SESD88786 | | SADDLE RVS BK. C/P. TIG. | 1,00 | 12/2004 | | -- |
| 0017 | | MEVR07039 | | PLUG CB 50 | 1,00 | | | -- |
| 0018 | | MPVR25715 | | PLATE PVC 415X30X 5 | 2,00 | 04/1999 | | -- |
| 0019 | | LAFN29920 | | SPACER D. 25-21 L=42 | 1,00 | 04/1999 | | -- |
| 0020 | | RTRT29913 | | WHEEL D. 13"X5.00/ 6 PN. +TB. | 1,00 | | | -- |
| 0021 | | LAFN29922 | | WHEEL PIN D.20 L=215 2XM14 | 1,00 | 04/1999 | | -- |
| 0022 | | LAFN29924 | | SPACER D. 25-21 L=37 | 1,00 | 04/1999 | | -- |
| 0024 | | LAFN35787 | | SUPPORT TIGER | 1,00 | 06/1999 | | -- |
| 0025 | | LAFN38798 | | UP STEERING TIG. 500 | 1,00 | 06/1999 | | -- |
| 0026 | | LAFN38547 | | UP STEERING L.95-TIG. | 1,00 | 04/1999 | | -- |
| 0027 | | MPVR35714 | | PROTECTOR D. 55-50X230 | 1,00 | 04/1999 | | -- |
| 0028 | | FSVR01874 | | CLAMP LG 31916 9 X260 N | 2,00 | 04/1999 | | -- |
| 0029 | | CMCV29817 | | CORD D. 2 L=1800 | 1,00 | 04/1999 | | -- |
| 0030 | | CMCV29816 | | SHEATH VIPLAST L=1060 3 X6 | 1,00 | 04/1999 | | -- |
| 0032 | | MPVR29814 | | KNOB D. 22 L=124 | 1,00 | | | -- |
| 0032 | | MPVR40015 | | KNOB D. 22 L=124 SIR | 1,00 | 06/2007 | | -- |
| 0033 | | CMCV29815 | | TRIGGER D. 22 + STZ. SX TIG. | 1,00 | | | -- |
| 0033 | | CMCV33525 | | LEVER D.22 NYL | 1,00 | 04/1999 | 01/2007 | -- |
| 0033 | | CMCV40002 | | LEVER D.22 C/STZ. MN. C.16 | 1,00 | 02/2007 | | -- |
| 0034 | | MPVR33115 | | INSTR.PANEL L.9000 - TIG. 2.V PP | 1,00 | 10/2000 | | -- |
| 0035 | | ETET42222 | | LABEL TIG. 500/1000 PLC | 1,00 | 10/2000 | | -- |
| 0036 | | MEVR31306 | | KNOB D.22 DX TIGER 300 | 1,00 | 04/1999 | 06/2007 | -- |
| 0036 | | MEVR40004 | | KNOB D.22 DX TIG. | 1,00 | 06/2007 | | -- |
| 0037 | | CMCV30002 | | TRIGGER TIG.300 | 1,00 | 06/1999 | | -- |
| 0038 | | RTRT31163 | | BLOCK BRAKE R D. 90-D.14 DX | 1,00 | 04/1999 | | -- |
| 0039 | | ABGO34061 | | VIBRATION DAMP.CL.25X17- 1M6X12 60SH NBR | 1,00 | 04/1999 | | -- |
| 0040 | | MPVR29993 | | BUSHING D. 12X24-16 L=14 OT. | 2,00 | 04/1999 | | -- |



| Ref. K | Part N. | Customer Part N. | Description | Qty | Validity: | | Price |
|--------|-----------|------------------|---|------|-----------|----|-------|
| | | | | | From | To | |
| 0041 | LAFN29987 | | BRAKE PEDAL TIG.300 | 1,00 | 04/1999 | -- | -- |
| 0042 | LAFN29988 | | PROTECTION TIG.300 | 1,00 | 04/1999 | -- | -- |
| 0043 | MEVR34121 | | COWLING T 115 | 1,00 | 10/2000 | -- | -- |
| 0044 | LAFN29992 | | CONTROL PIN TIG.300 | 1,00 | 04/1999 | -- | -- |
| 0045 | LAFN29997 | | CONTOLE ROD L=660 M6 | 1,00 | 04/1999 | -- | -- |
| 0046 | LAFN29999 | | TRIGGER TIG.300 | 1,00 | 04/1999 | -- | -- |
| 0047 | CMCV13590 | | CLAMP VT 8X11 M5 LOLY 700 | 1,00 | 04/1999 | -- | -- |
| 0048 | LAFN30016 | | CROSS PIECE TIG.300 | 1,00 | 04/1999 | -- | -- |
| 0049 | MLML12055 | | SPRING TR144 D. 12 X41 F.1.5 | 2,00 | 04/1999 | -- | -- |
| 0050 | CMCV12069 | | REGISTER CH.12X 8MAX40 | 1,00 | 04/1999 | -- | -- |
| 0051 | RTRT38114 | | BLOCK BRAKE R D. 90-D.20 P.DX T3 | 1,00 | 04/1999 | -- | -- |
| 0051 | RTRT38115 | | BLOCK BRAKE R D. 90-D.20 P.SX T3 | 1,00 | 04/1999 | -- | -- |
| 0052 | LAFN29975 | | SPACER D. 25-21 L=52 | 2,00 | 04/1999 | -- | -- |
| 0053 | RTRT39072 | | WHEEL D. 13"X 5.00/ 6 PN.CR.T50 | 2,00 | | -- | -- |
| 0054 | LAFN29973 | | SPACER D. 25-21 L=24 | 2,00 | 04/1999 | -- | -- |
| 0055 | MTCR29977 | | WARP KNITTING 1/2X 1/8 S. | 2,00 | 04/1999 | -- | -- |
| 0056 | MTCR29976 | | CHAIN 1/2X 1/8 S. 081 DIN 8187 | 1,36 | 04/1999 | -- | -- |
| 0057 | CUVR29964 | | BALL BEARING 6000-2RS1 | 1,00 | 04/1999 | -- | -- |
| 0058 | MTCR38078 | | PINION Z.12 P 1/2 X 1/8 S. T5 | 1,00 | 04/1999 | -- | -- |
| 0059 | MTPL38077 | | PULLEY HTD 72.5M 25 D.16-35 | 1,00 | 04/1999 | -- | -- |
| 0060 | CUVR29963 | | BALL BEARING 6003-2RS1 | 1,00 | 04/1999 | -- | -- |
| 0061 | LAFN38076 | | PIN TIG.500 | 1,00 | 04/1999 | -- | -- |
| 0062 | LAFN29966 | | PLATE TIG.300 | 2,00 | 04/1999 | -- | -- |
| 0063 | LAFN29881 | | BELT-STRETCHER D. 12-50 | 2,00 | 04/1999 | -- | -- |
| 0064 | MTCG38389 | | BELT HTD 670-5M 25 | 2,00 | | -- | -- |
| 0067 | MOCC38391 | | TRACTION MOTOR CC MP 24V 400W 2800G+PL. | 1,00 | 06/1999 | -- | -- |
| 0068 | LAFN29945 | | PANEL TIG.300 ANT. | 1,00 | 04/1999 | -- | -- |
| 0069 | LAFN29947 | | PANEL TIG.300 PST | 1,00 | 04/1999 | -- | -- |
| 0070 | MELF29909 | | LANTERN COBO | 1,00 | 06/1999 | -- | -- |
| 0071 | MELF29910 | | LAMP 24 V 70 W | 1,00 | 06/1999 | -- | -- |
| 0072 | MELF29912 | | GASKET COBO | 1,00 | 06/1999 | -- | -- |
| 0073 | MELF29911 | | FRAME COBO | 1,00 | 06/1999 | -- | -- |
| 0074 | LAFN30005 | | BATTERY SUPPORTTIG.300 | 1,00 | 04/1999 | -- | -- |
| 0075 | LAFN29957 | | BATTERY CLAMP TIG.300 | 1,00 | 04/1999 | -- | -- |
| 0076 | VTVR17333 | | HANDWHEEL M 8MAX15-LP 30 | 1,00 | 04/1999 | -- | -- |
| 0077 | MPVR30008 | | BATTERY RUBBER 750X300 | 2,00 | 04/1999 | -- | -- |
| 0078 | BAAC27034 | | BATTERY 80 AH 12V 420A | 2,00 | | -- | -- |
| 0079 | LASL31543 | | BATT. TIE ROD TIG.300 | 1,00 | 04/1999 | -- | -- |
| 0080 | LAFN30010 | | BATTERY CLAMP TIG.300 SUP. | 1,00 | 04/1999 | -- | -- |



| Ref. K | Part N. | Customer Part N. | Description | Qty | Validity: | | Price |
|--------|-----------|------------------|-------------------------|------|-----------|----|-------|
| | | | | | From | To | |
| 0081 | MECB38662 | | CABLE SG 1X16 L= 50/ 50 | 1,00 | 04/1999 | -- | -- |
| 0082 | LAFN38396 | | PROTECTION T.500 SX | 1,00 | 04/1999 | -- | -- |
| 0082 | LAFN38398 | | PROTECTION T.500 DX | 1,00 | 04/1999 | -- | -- |
| 0083 | CUVR35782 | | BALL BEARING 7205 BE | 1,00 | 06/1999 | -- | -- |
| 0084 | VTAE09655 | | CIRCLIP D. 25 UNI 7435 | 1,00 | 06/1999 | -- | -- |
| 0085 | MPVR33116 | | HALF BEARING PP 2.V | 2,00 | 04/1999 | -- | -- |
| 0086 | CUVR15981 | | BALL BEARING 6205 2RS1 | 1,00 | 06/1999 | -- | -- |
| 0087 | MELF38915 | | LANTERN COBO ORANGE | 1,00 | 04/1999 | -- | -- |
| 9999 | MECB38663 | | CABLE SG 1X16 L= 30 | 1,00 | 04/1999 | -- | -- |



| Ref. K | Part N. | Customer Part N. | Description | Qty | Validity: | | Price |
|--------|-----------|------------------|--------------------------------|------|-----------|---------|-------|
| | | | | | From | To | |
| B | BAAC27034 | | BATTERY 80 AH 12V 420A | 2,00 | | | -- |
| H | MELF29910 | | LAMP 24 V 70 W | 1,00 | | | -- |
| F1 | MEVR09008 | | FUSE 10 A RSS | 1,00 | | | -- |
| IC | MECI30416 | | SWITCH ZADI 8328 | 1,00 | 10/2000 | | -- |
| IH | MECI30499 | | SWITCH T.300 | 1,00 | 10/2000 | | -- |
| IS | MECI37826 | | BUTTON ON-OFF INST. TIG. | 1,00 | | 05/2001 | -- |
| IS | MECI42352 | | FEED PEDAL MP 6114/F 240V 16A | 1,00 | 05/2001 | | -- |
| L1 | MELF38917 | | LAMP 24V 10W SF. | 1,00 | 04/1999 | | -- |
| L2 | MELF12177 | | LAMP FLASH 24V 21W AR. | 1,00 | | | -- |
| PE | MECI32516 | | SWITCH 25A COBO | 1,00 | 06/1999 | | -- |
| EC1 | MECE35742 | | PCB PM04 150A 24V | 1,00 | | | -- |
| EC2 | MECE38916 | | PCB INT. 12/24V 20W TIG | 1,00 | 04/1999 | | -- |
| ILC | MECE34007 | | PCB LED TIGER +BZ. 2.V | 1,00 | | | -- |
| INV | MECI34120 | | SWITCH T 115-EA | 1,00 | 10/2000 | | -- |
| PKL | MECI30417 | | SWITCH D.15 TIG. | 1,00 | 10/2000 | | -- |
| POT | MEVR31306 | | KNOB D.22 DX TIGER 300 | 1,00 | | | -- |
| RL1 | METT36724 | | CONTACTOR MAC 15 D 24V DC S.C. | 1,00 | | | -- |
| RL2 | METT36723 | | CONTACTOR MAC 15 R 24V DC S.I. | 1,00 | | | -- |
| RL3 | METT36723 | | CONTACTOR MAC 15 R 24V DC S.I. | 1,00 | | | -- |